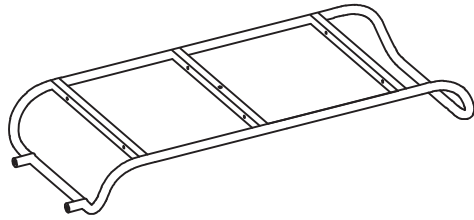


# ASSEMBLY INSTRUCTION

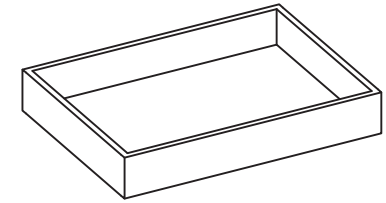
## PART LIST



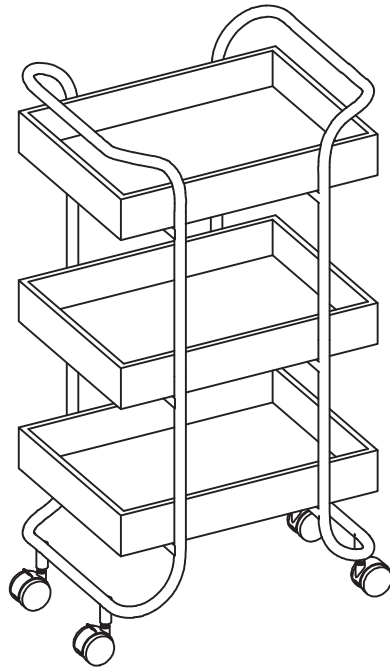
① x 2  
metal frame



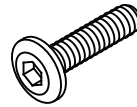
② x 1  
metal tube



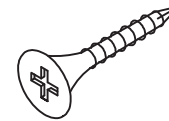
③ x 3  
Bamboo box



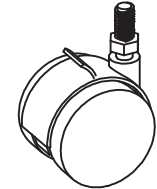
## HARDWARE LIST



A x 2  
screw



B x 12  
screw



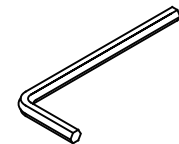
C x 2  
wheels with brake



D x 2  
wheels

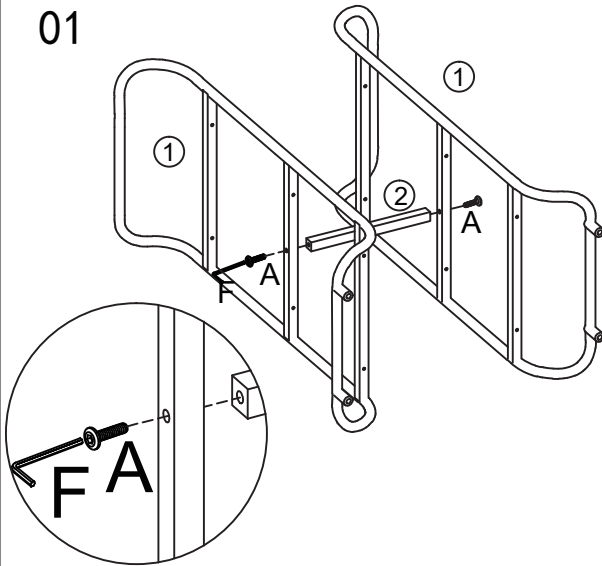


E x 1  
wrench



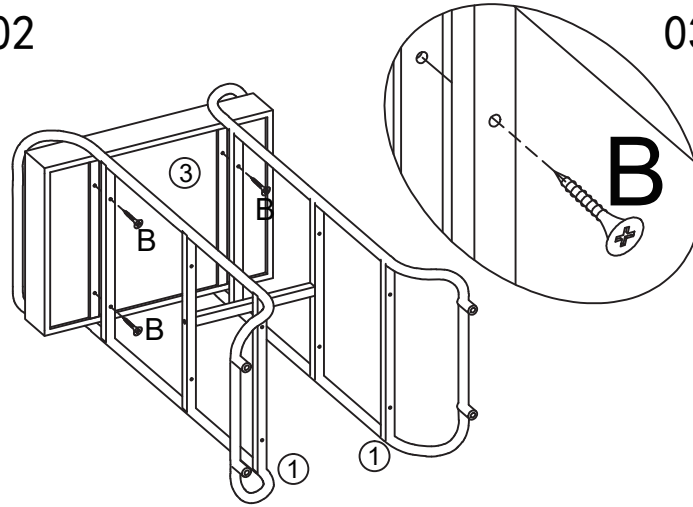
F x 1  
hex wrench

01



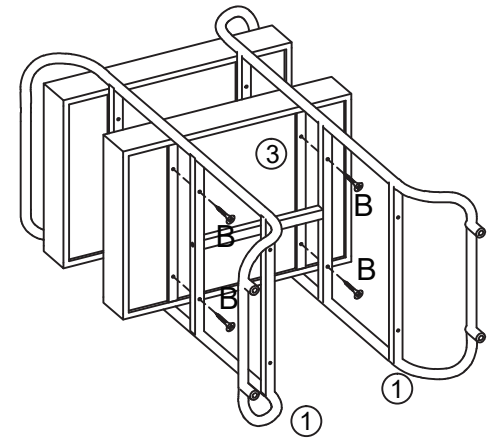
Use screw A to lock metal tube(2) to metal frame(1) with hex wrench(F).

02



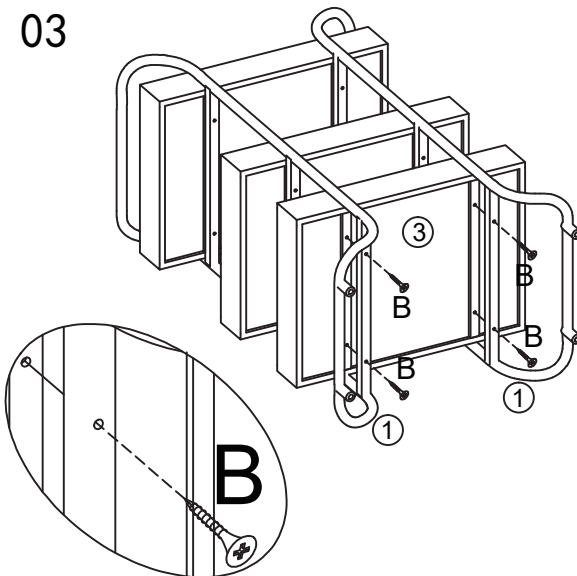
Use screw B to lock bamboo box(3) on metal frame(1).

03



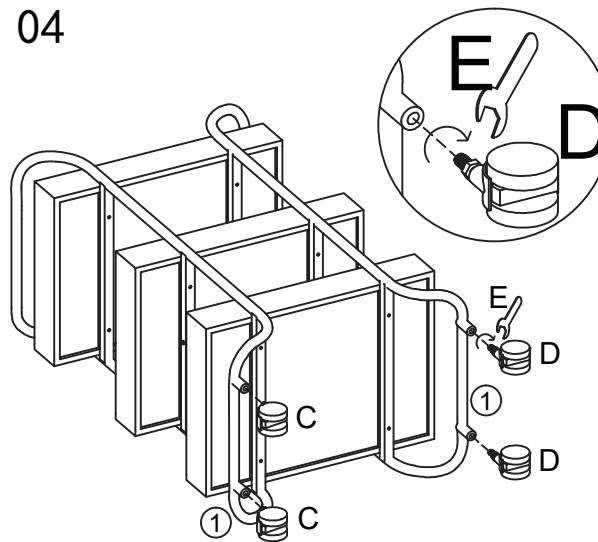
Repeat step 2.

03



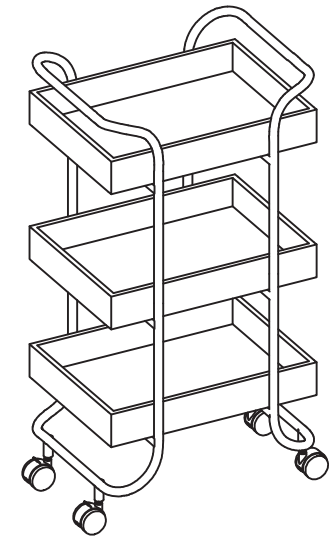
Repeat step 2.

04



Lock wheels(C,D) on metal frames(1) with wrench(E).

05



Finish assembly.